



ARS25-AGA08192

ARS25

ABSOLUTE ENCODERS

**SICK**  
Sensor Intelligence.



Illustration may differ



## Ordering information

Type	Part no.
ARS25-AGA08192	7101996

Other models and accessories → [www.sick.com/ARS25](http://www.sick.com/ARS25)

## Detailed technical data

### Performance

<b>Number of steps per revolution</b>	8.192
<b>Error limits G</b>	35°, 46° (binary number of steps, non-binary number of steps) <sup>1)</sup>

<sup>1)</sup> In accordance with DIN ISO 1319-1, position of the upper and lower error limit depends on the installation situation, specified value refers to a symmetrical position, i.e. deviation in upper and lower direction is the same.

### Interfaces

<b>Initialization time</b>	40 s
----------------------------	------

### Electrical data

<b>Connection type</b>	Male connector, radial
------------------------	------------------------

### Mechanical data

<b>Mechanical design</b>	Solid shaft
<b>Shaft diameter</b>	3/8"
<b>Start up torque</b>	3.4 Ncm
<b>Operating torque</b>	2.6 Ncm
<b>Permissible Load capacity of shaft</b>	20 N / axial 10 N / radial
<b>Moment of inertia of the rotor</b>	54 gcm <sup>2</sup>
<b>Operating speed</b>	6 min <sup>-1</sup> with shaft seal 1 min <sup>-1</sup> without shaft seal

### Ambient data

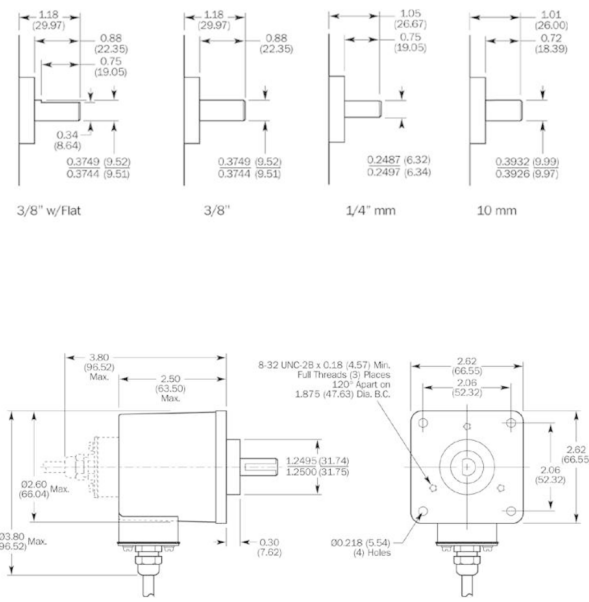
<b>Enclosure rating</b>	IP65
<b>Permissible relative humidity</b>	90 %
<b>Operating temperature range</b>	-20 °C ... +85 °C
<b>Storage temperature range</b>	-40 °C ... +100 °C
<b>Resistance to shocks</b>	50 g, 11 ms
<b>Resistance to vibration</b>	20 g, 10 Hz ... 150 Hz

### Classifications

<b>ECl@ss 5.0</b>	27270502
-------------------	----------

<b>ECI@ss 5.1.4</b>	27270502
<b>ECI@ss 6.0</b>	27270590
<b>ECI@ss 6.2</b>	27270590
<b>ECI@ss 7.0</b>	27270502
<b>ECI@ss 8.0</b>	27270502
<b>ECI@ss 8.1</b>	27270502
<b>ECI@ss 9.0</b>	27270502
<b>ETIM 5.0</b>	EC001486
<b>ETIM 6.0</b>	EC001486
<b>UNSPSC 16.0901</b>	41112113

Dimensional drawing (Dimensions in mm (inch))



## SICK AT A GLANCE

SICK is one of the leading manufacturers of intelligent sensors and sensor solutions for industrial applications. A unique range of products and services creates the perfect basis for controlling processes securely and efficiently, protecting individuals from accidents and preventing damage to the environment.

We have extensive experience in a wide range of industries and understand their processes and requirements. With intelligent sensors, we can deliver exactly what our customers need. In application centers in Europe, Asia and North America, system solutions are tested and optimized in accordance with customer specifications. All this makes us a reliable supplier and development partner.

Comprehensive services complete our offering: SICK LifeTime Services provide support throughout the machine life cycle and ensure safety and productivity.

For us, that is “Sensor Intelligence.”

## WORLDWIDE PRESENCE:

Contacts and other locations –[www.sick.com](http://www.sick.com)